



**COLORED DIAMOND GRADING REPORT**

GIA REPORT 1142875434

August 21, 2012  
Shape and Cutting Style ..... **Cushion Modified Brilliant**  
Measurements ..... 5.81 x 5.01 x 2.95 mm

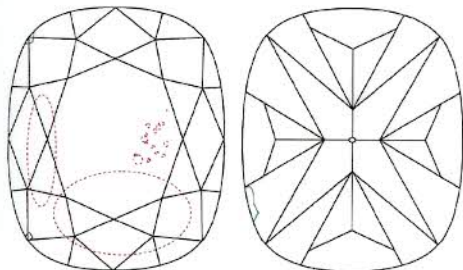
**GRADING RESULTS**

Carat Weight ..... **0.71 carat**  
Color  
Origin ..... **NATURAL**  
Grade ..... **FANCY DEEP YELLOW-BROWN**  
Distribution ..... **Even**  
Clarity Grade ..... **S12**

**ADDITIONAL GRADING INFORMATION**

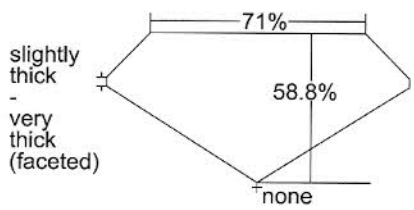
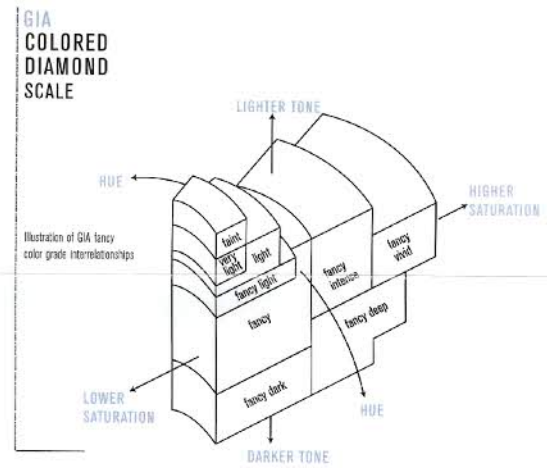
Finish  
Polish ..... Very Good  
Symmetry ..... Good  
Fluorescence ..... Medium Yellow  
Comments:  
Additional clouds are not shown.  
Internal graining is not shown.

**REFERENCE DIAGRAMS**



| GIA CLARITY SCALE   |  |
|---------------------|--|
| FLAWLESS            |  |
| INTERNALLY FLAWLESS |  |
| VVS <sub>1</sub>    |  |
| VVS <sub>2</sub>    |  |
| VS <sub>1</sub>     |  |
| VS <sub>2</sub>     |  |
| S1 <sub>1</sub>     |  |
| S1 <sub>2</sub>     |  |
| I <sub>1</sub>      |  |
| I <sub>2</sub>      |  |
| I <sub>3</sub>      |  |

DESCRIPTORS  
VERY VERY SLIGHTLY INCLUDED  
VERY SLIGHTLY INCLUDED  
SLIGHTLY INCLUDED  
INCLUDED



Profile not to actual proportions

**KEY TO SYMBOLS**

- Cloud
- ^ Natural
- ^ Extra Facet

Red symbols denote internal characteristics (inclusions). Green or black symbols denote external characteristics (blemishes). Diagram is an approximate representation of the diamond, and symbols shown indicate type, position, and approximate size of clarity characteristics. All clarity characteristics may not be shown. Details of finish are not shown.

This Report is not a guarantee, valuation or appraisal and contains only the characteristics of the diamond described herein after it has been graded, tested, examined and analyzed by the laboratory providing this Report ("GIA") and/or has been inscribed using the techniques and equipment used by GIA at the time of the examination and/or inscription. Inscriptions reported in this document are not a guarantee, validation, or warranty of a diamond's quality, country of origin or source; or that the diamond will be identifiable by the inscription in the future (since inscriptions can be removed). GIA makes no representation concerning any trademark, word, or symbol which is inscribed by GIA or which is identified on this Report. The recipient of this Report may wish to consult a credentialed jeweler or gemologist about the information contained herein.



The security features in this document, including the hologram, security screen and microprint lines, in addition to those not listed, exceed document security industry guidelines.

**IMPORTANT LIMITATIONS ON BACK**  
©2008 GEMOLOGICAL INSTITUTE OF AMERICA, INC.